

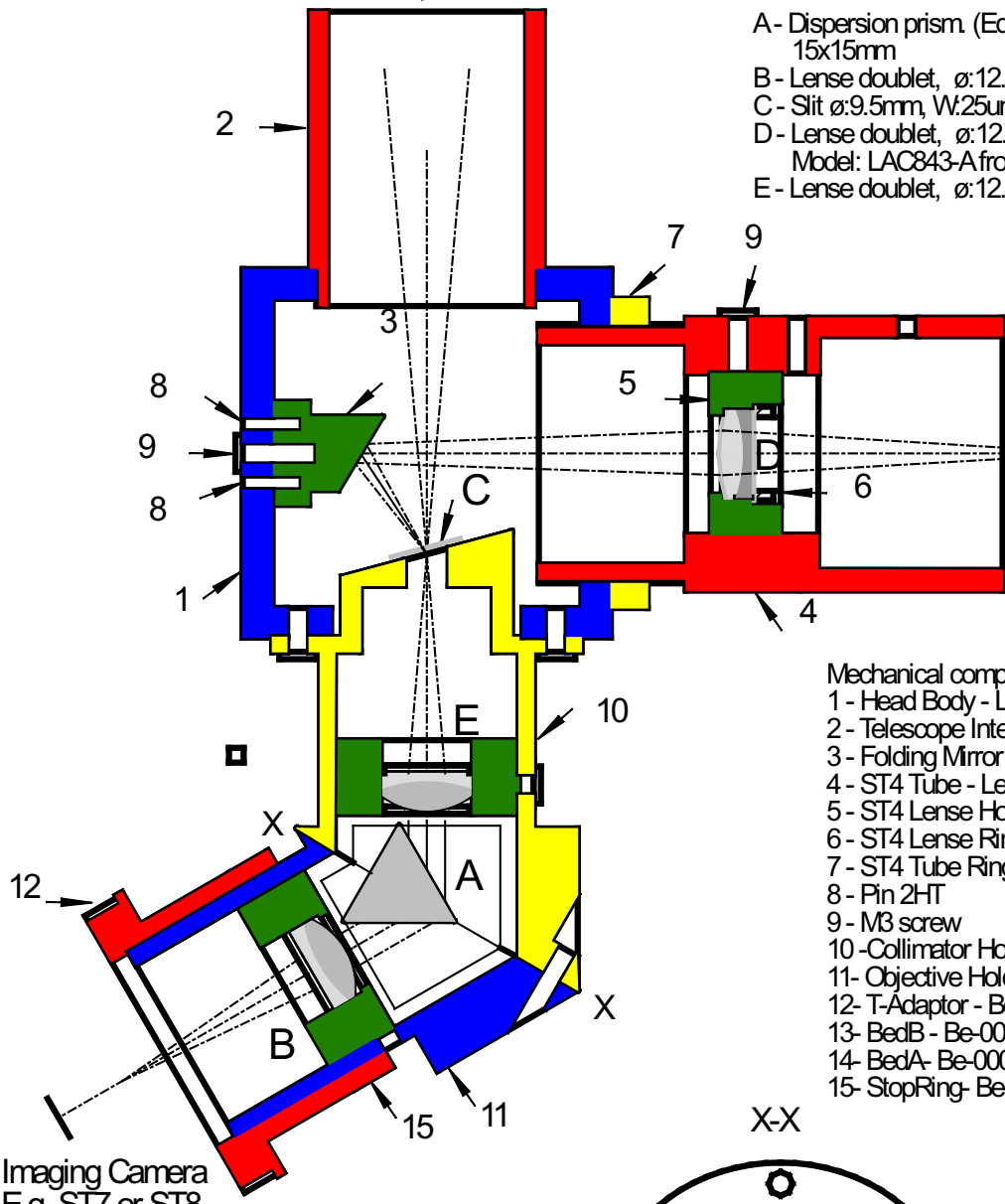
To telescope with  
standard tube 1 1/4"

Optical components

- A - Dispersion prism. (Edmund-Scientific)  
15x15mm
- B - Lense doublet,  $\phi$ :12.5mm f:40mm
- C - Slit  $\phi$ :9.5mm, W:25um L:3mm
- D - Lense doublet,  $\phi$ :12.7mm f:19mm  
Model: LAC843-A from ThorLabs
- E - Lense doublet,  $\phi$ :12.5mm f:30mm

To guiding camera,  
e.g. ST4 with  
standard tube 1 1/4"

CCD

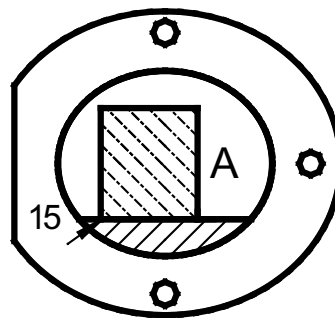


Mechanical components

- 1 - Head Body - Le-He-0001 & Le-He-0002
- 2 - Telescope Interface - Le-He-0003
- 3 - Folding Mirror - Le-He-0004
- 4 - ST4 Tube - Le-ST4-0001
- 5 - ST4 Lense Holder - Le-ST4-0002
- 6 - ST4 Lense Ring - Le-ST4-0003
- 7 - ST4 Tube Ring - Le-ST4-0004
- 8 - Pin 2HT
- 9 - M3 screw
- 10 - Collimator Holder - Be-0003
- 11 - Objective Holder - Be-0004
- 12 - T-Adaptor - Be-0005
- 13 - BedB - Be-0001
- 14 - BedA - Be-0002
- 15 - StopRing - Be-0006

Imaging Camera  
E.g. ST7 or ST8

X-X



13

